

WALTON WALL HUNG BASIN

Cat. No
4-9121



Faucet not included



Mounting hardware

W: 31-1/2"
D: 13-1/2"
H: 4-3/8"

Interior Dimensions:

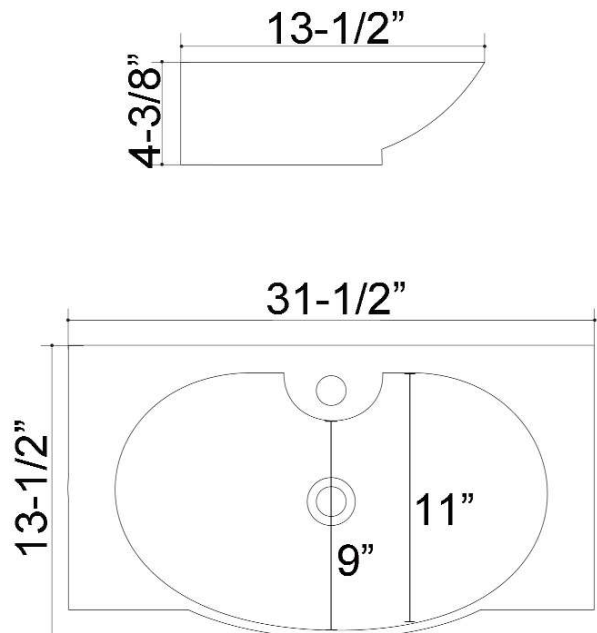
Basin Interior:	25-1/2" x 11"
Basin Depth:	2-5/8"
Back of basin to center of faucet:	2-1/4"
Back of basin to center of drain:	5-1/2"
Mount holes cc:	11-1/2"
Faucet hole diameter:	1-3/8"

Features:

- ▶ Wall hung basin
- ▶ Made of Vitreous China
- ▶ Pre-drilled with 1-3/8" single faucet hole
- ▶ No overflow
- ▶ Mounting hardware included
- ▶ Drain not provided

Colors
WH White

Meets or exceeds the following specifications: ASME A112.19.2 2013 and CSA B45.1-13 for ceramic plumbing fixtures.



Dimensions of fixture are nominal and may vary within the range of tolerances established by ASME Standard A112.19.2.2013. Dimensions and specifications subject to change without notice.